

Safe-T Connect 2421

Leakage detection module



Field of application

The SYR Safe-T Connect 2421 offers a leakage detection system according to VP 638 that permanently supervises the installation as soon as it is activated. The Safe-T LS module can be mounted on any flange of the SYR flange system

up to DN 32. Any valve suited for the flange can be fitted onto the module. The Safe-T can also be used as stand-alone version and can be connected to the internet.

Design

The Safe-T's monitoring electronic system is able to detect leakage. When the preprogrammed values are exceeded, the Safe-T isolates the whole installation. It also offers a special vacation

function ensuring an intensified supervision. All important function data can be individually set with the management and diagnosis system.

Materials

The body is made of a high-quality low-lead brass alloy. The rubber parts are made of ageing-resistant elastomer. Non-rusting steel is used for all other functional parts. All materials used are

state-of-the-art. All synthetic parts getting into contact with water are approved by the German Public Health Office (KTW).

Installation

To install the Safe-T, use a flange DN 20 - DN 32 from the extensive Drufi flange program. Mount it either centrally downstream of the water metering device

or locally to protect a single line. The Safe-T can be used separately or in combination, for instance with a Drufi or the IT 3000, IT 4000 or LEX 1500.

Thoroughly flush the pipe prior to installation. Install the required Drufi connection flange under consideration of the direction of flow either in

vertical or horizontal pipes. Do not apply stresses. All electric connections are pre-installed in factory.

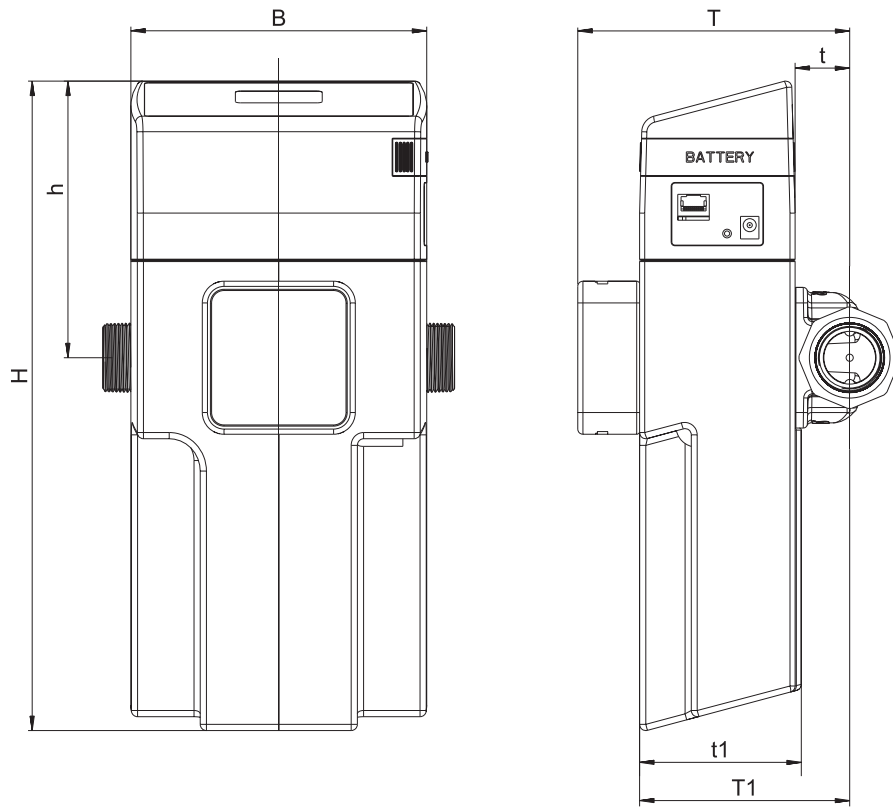
Technical specifications

Operating temperature:	max. 30 °C
Ambient temperature:	10 - 60 °C
Nominal pressure:	16 bar
Mounting position:	main axis vertical
Medium:	Potable water
Type of protection:	IP 21
Batteries:	4 x LR06
Voltage, power pack:	9V DC
Load, external potential free contact:	IN 2: minimum 12V / 20 mA Out: maximum 24V / 2A
Start-up threshold:	5 Liter/h
Flow rate:	DN 20: 2.0 m ³ /h at 0,2 bar Δp DN 25: 2,3 m ³ /h at 0,2 bar Δp DN 32: 2,5 m ³ /h at 0,2 bar Δp DN 20: 3,5 m ³ /h at 0,5 bar Δp DN 25: 3,8 m ³ /h at 0,5 bar Δp DN 32: 4,0 m ³ /h at 0,5 bar Δp DN 20: 5,2 m ³ /h at 1,0 bar Δp DN 25: 5,7 m ³ /h at 1,0 bar Δp DN 32: 6,0 m ³ /h at 1,0 bar Δp
Werks-Nr.:	2421.00.010

Maintenance

The Safe-T's design requires no maintenance for

correct operation.



Nominal size	DN 20 - DN 32	
Dimension	T (mm)	131,5
	t (mm)	26,5
	T1 (mm)	101,5
	t1 (mm)	78
	H (mm)	314
	h (mm)	133,5
	B (mm)	143

Components / Order numbers

- ① Insulation
- ② Emergency key
- ③ Controller
- ④ Body
- ⑤ **Blanking cap**
2320.00.901

Accessories

- ⑥ **Drufi universal flange**
DN 20 2315.20.005
DN 25 2315.25.005
DN 32 2315.32.005

Power supply adapter
(no pict.)
1100.00.900

Floor sensor
2421.00.021

Humidity sensor
2421.00.022

